

FUJIFILM
Value from Innovation

FDR Go PLUS

NEW



Vision to **Go+** beyond Expectation

Uncompromising in the pursuit of improved workflow

Fujifilm's FDR Go PLUS redefines mobile imaging with improved mobility, workflow and Image Quality. Building on Fujifilm's advanced image quality and dose performance, the FDR Go PLUS provides sophisticated yet simple harmonized mobile operation.



Highly maneuverable system
FDR Go PLUS



High sensitivity detector
FDR D-EVO II

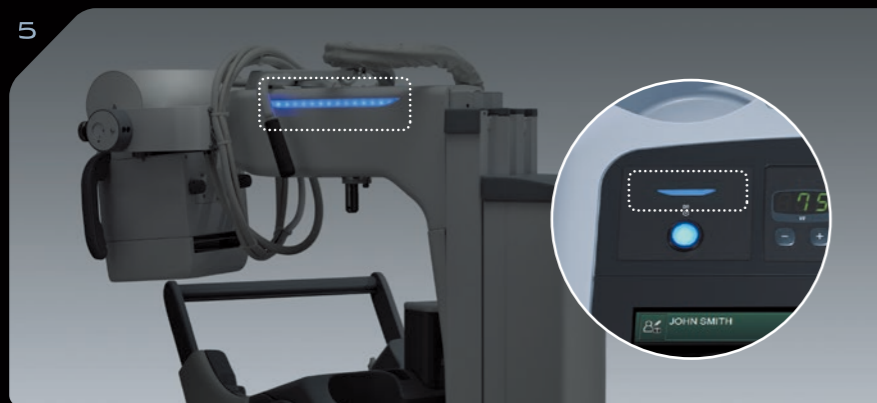
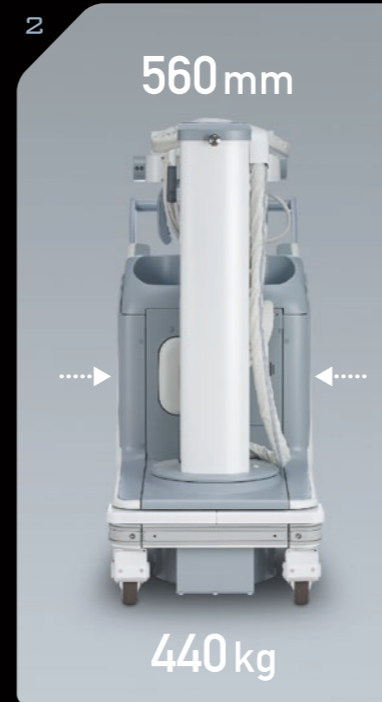


Advanced
image processing

FDR GO PLUS



Highly maneuverable system FDR Go PLUS



1 Stress-free travel with a clear view ahead

The smooth and low noise drive provides less disruption and therefore less stress even in the quietest of environments, with the collapsible column maintaining a clear view ahead when traveling. The collision sensing bumper safely halts movement when contact is detected.

2 Lightweight & Slim design

The lightweight, compact chassis ensures superb maneuverability even in the tightest of spaces.

3 Abundant storage with FPD locking function

Custom designed pockets with FPD locking function provide safe storage for any size detectors and additional storage for accessories, including grids, disinfection wipes and spare batteries.

4 Large touchscreen monitor for easy operation

The large touchscreen monitor with friendly icons allows confident image verification and easy post processing.

5 Status Indicator lamp

Simple and quick visual confirmation of system status can be made with the status indicator lamps on the top of the monitor and side of the arm.

6 Inch-mover switch

Controls on the collimator slowly move the system forward or backward, allowing precise bedside positioning without having to return to the drive handle.

7 Lock release on tube handles

Buttons located on the upper and lower tube handles ensure comfortable operation even when using at high positions.

8 Easy control of collimation area

The collimator controls are located on both the front and rear of the collimator providing improved access when undertaking mobile examinations.

9 Calculated Dose Area Product display

The FDR Go PLUS provides a Calculated Dose Area Product result which is displayed on the control panel and stored within the DICOM Image header for PACS Storage.

*An optional measured DAP chamber is also selectable.

10 FPD holding channel

A channel on the mobile unit can be used for securing the FPD for cleaning, replacing batteries or fitting protective covers.



High sensitivity detector **FDR D-EVO II**

Detector with important qualities for mobile examinations

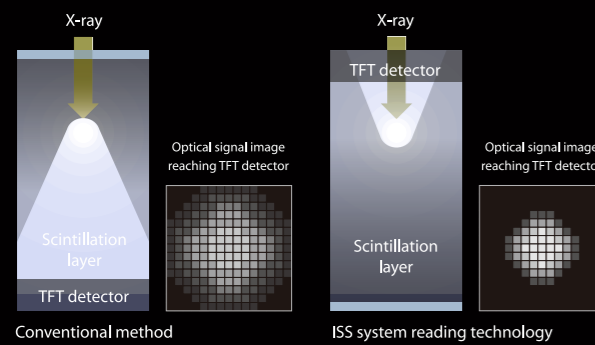
FDR D-EVO II

A full range of DR detectors are available. Multiple panels can be carried on the system simultaneously, providing flexibility and comprehensive support for any mobile imaging. The C24 detector simplifies Neonatal examinations in incubators.



Irradiation Side Sampling (ISS) method

Using Fujifilm's ISS technology, the optical sensors (TFT) are bonded to the X-ray irradiation side of the FPD unlike traditional flat panel detectors. This greatly suppresses scattering and attenuation of x-ray signals, creating sharp images at lower x-ray doses.



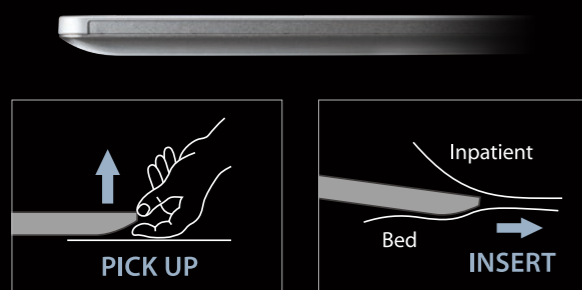
Noise Reduction Circuit

The uniquely developed noise reduction circuit reduces noise in the image. In particular, the granularity of low-contrast regions such as heart and mediastinum is dramatically improved.



Easy to pickup, Easy to position

The rounded form of the D-EVO II edge supports an easier workflow of "Pick up and position"

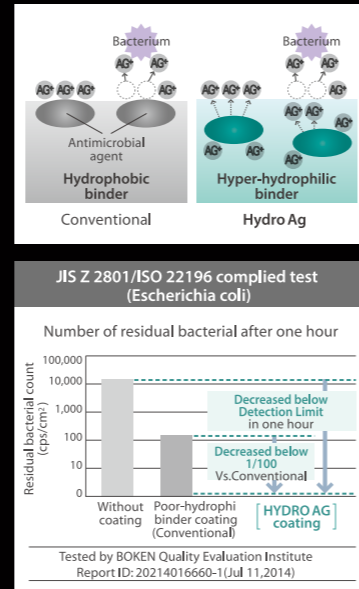


Hydro Ag antibacterial coating



The FDR D-EVO II detectors are coated with Hydro Ag antibacterial coating, which has an antibacterial effect 100 times greater than that of conventional Ag coatings. This longer-lasting higher intensity antibacterial effect prevents bacterial growth. A hyper-hydrophilic binder allows easy cleaning and hygienic use, together with the easy-to wipe flat design of the detector.

* Due to the characteristics of the product, the effect is not guaranteed in the future.



Lightweight Design

A core concept for FDR D-EVO II, the Lightweight design enhances mobility.

Approx. **2.5 kg**



FDR D-EVO II G35

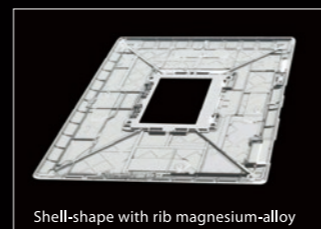
Protection and Durability

Waterproofing and innovative structure design gives piece of mind in tough medical environments.

IPX6



Load Capacity **310 kg**



Shell-shape with rib magnesium-alloy



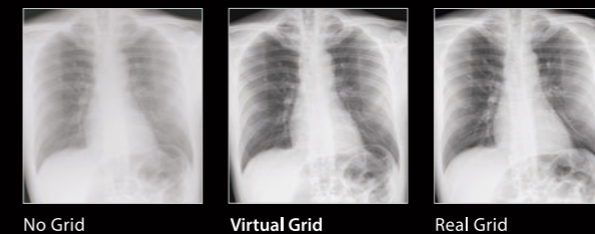
Advanced image processing

3D structure analysis technology to support mobile exam

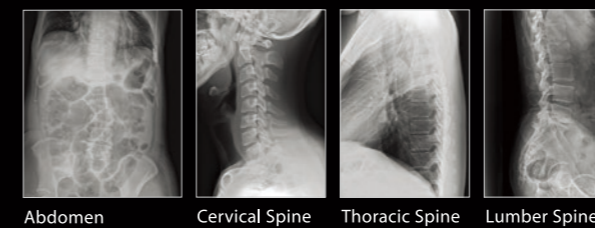
Virtual Grid

Provides a high quality image without using a grid

Virtual Grid processing corrects for the effects of scatter radiation. Without the need for a grid, Virtual Grid retains high contrast and image sharpness, while preventing the asymmetric density resulting from misalignment of X-ray tube and detector. (Option)



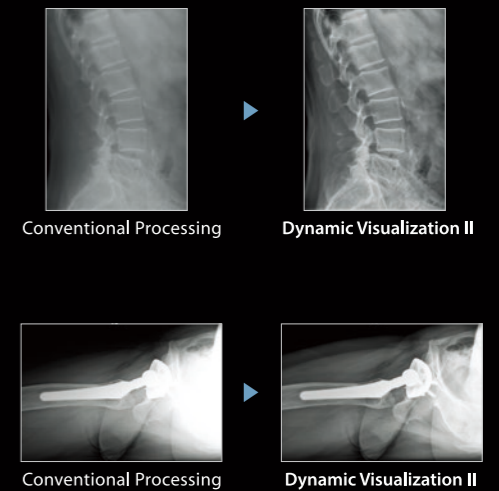
Multiple body parts supported



Dynamic Visualization II

Optimizes image quality using latest Exposure Data Recognizer

Advanced recognition algorithms automatically adjust contrast and density for individual body parts based on calculation of estimated 3D image data. (Option)



Reduced impact on patient



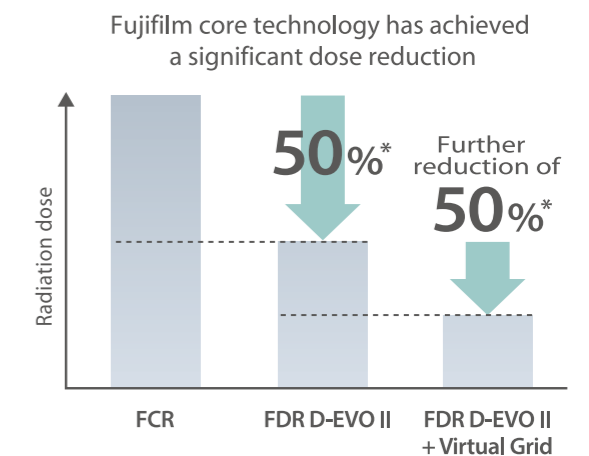
FDR D-EVO II

High sensitivity reading technology "ISS"

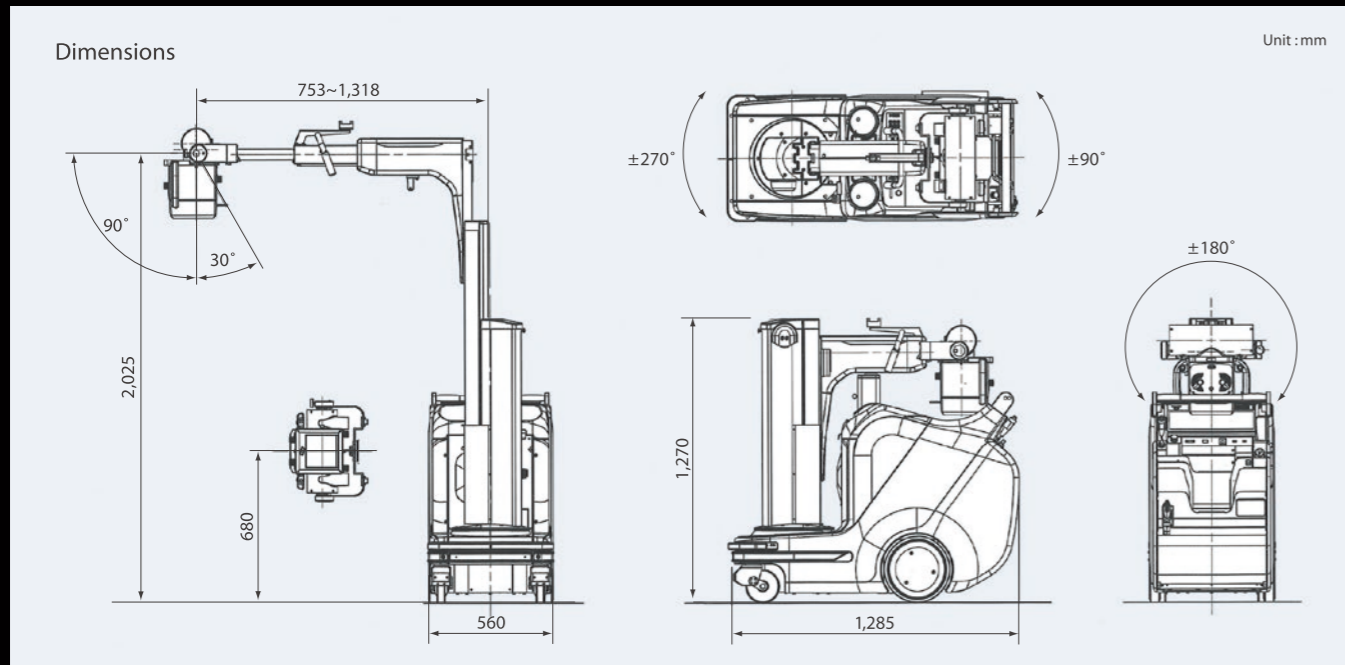


Virtual Grid

Improves image granularity in low-dose imaging



* By comparison with our conventional images



FDR Go PLUS Specifications

Model	MOBILE X-RAY SYSTEM FDR Go
Total Size (W × L)	560 mm × 1,285 mm
Height of Column	1,270 mm
Weight	440kg
Monitor Size	19 inch
Dose Area Product	Calculated Dose Area Product Display Function
Maximum X-ray Output	32 kW
Anatomical Program	432 types
Column Rotation Range	±270°
X-ray Tube Unit Rotation Angle	±180°
X-ray Tube Unit Axial Rotation Angle	Forward 90°, Backward 30°

FDR D-EVO II series

	FDR D-EVO II C24	FDR D-EVO II C35	FDR D-EVO II G35	FDR D-EVO II C43	FDR D-EVO II G43
Scintillator	CsI (Cesium Iodide)	CsI (Cesium Iodide)	GOS (Gadolinium oxysulfide)	CsI (Cesium Iodide)	GOS (Gadolinium oxysulfide)
Detector Size	328 × 268 × 15 mm (Approx.) [12.9" × 10.6" × 0.6"]	460 × 384 × 15 mm (Approx.) [18" × 15" × 0.6"]	460 × 384 × 15 mm (Approx.) [18" × 15" × 0.6"]	460 × 460 × 15 mm (Approx.) [18" × 18" × 0.6"]	460 × 460 × 15 mm (Approx.) [18" × 18" × 0.6"]
Weight	Approx. 1.5 kg [3.3 lbs.] (including battery)	Approx. 2.6 kg [5.7 lbs.] (including battery)	Approx. 2.5 kg [5.5 lbs.] (including battery)	Approx. 3.2 kg [7.1 lbs.] (including battery)	Approx. 3.2 kg [7.1 lbs.] (including battery)

•Specifications are subject to change without notice.
 •All brand names or trademarks are the property of their respective owners.
 •All products require the regulatory approval of the importing country.
 •For the details of regulatory information and availability in your country, please contact our local representative.



Vision to **Go+** beyond Expectation